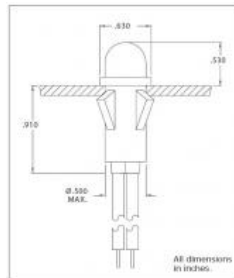


Products

Neon & Incandescent Indicators

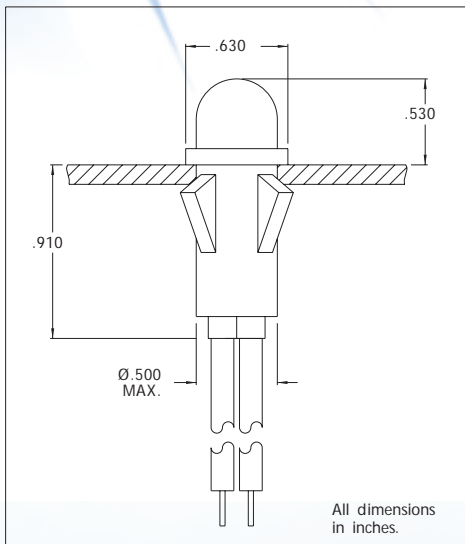
CML IT offers panel mount indicators manufactured with LED, Neon or Incandescent light sources. These indicators are available in a number of different lens and termination styles, with voltages of 2V ~ 250V available off-the-shelf.



Part Number: 1050A4
Serial Number: 1050
Light Source: Neon
Color: White
Voltage (V): 125VAC
Mounting Hole (inch): 0.50
Mounting Hole (metric): 12.7
Termination: 4.5" 22 AWG wire
Bezel color: Stainless Steel
Housing color: White
UL file: E20325
CSA file: LR13346
RoHS Status: Yes

**1050A, 1051A, 1052A, 1053A and 1090A Series Non-Relampable
 Neon-Incandescent Indicator Lights**

DESCRIPTION AND FEATURES



Mounting: Will snap-fit into Ø.500/.505 hole in panels .020/.100 thick. Push-on speednut SN0461 also available.
 Mounting hole pattern on page SP2.

Wire Leads: No.22 AWG (105°C) 4.40/4.80 long, stripped .430/.570

Lens: Nylon on model 1050A1, 1050A3, 1050A4, 1051A1, 1051A3, 1051A4, Polycarbonate on all other models.

Bezel: Polished stainless steel.
 For black finish add "X" after the series letter(s).

Housing: White Nylon

| Lens Color | Neon | | Incandescent | |
|------------|---------------------------|---------------------------|--------------------|--------------------|
| | Model No. (105-125VAC) | Model No. (208-250VAC) | Model No. (12V) | Model No. (28V) |
| Red | 1050A1 | 1051A1 | 1090A1-12V | 1090A1-28V |
| Clear | 1050A2 | 1051A2 | - | - |
| Amber | 1050A3 | 1051A3 | 1090A3-12V | 1090A3-28V |
| White | 1050A4 | 1051A4 | 1090A4-12V | 1090A4-28V |
| Green | 1052A5* | 1053A5* | 1090A5-12V | 1090A5-28V |
| Blue | 1052A6** | 1053A6** | 1090A6-12V | 1090A6-28V |
| Lamp used | C 2A+R resistor | C 2A+R resistor | #2162 | #2187 |
| Lead Color | Black | One Black/One Red | Yellow | Purple |

* Incorporates G2B lamp and resistor.

** Incorporates T2B lamp and resistor.

Underwriters Laboratories (UL) File No. E20325

Canadian Standards Association (CSA) File No. LR13346